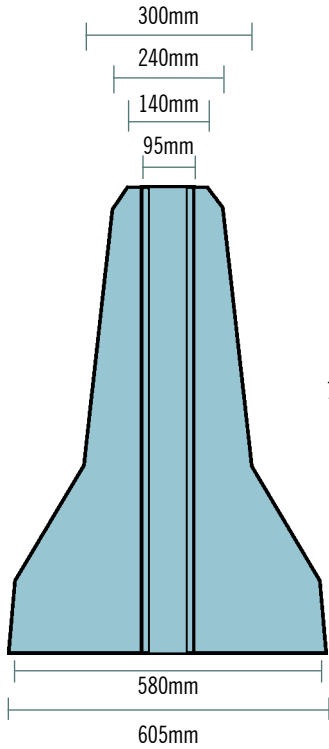
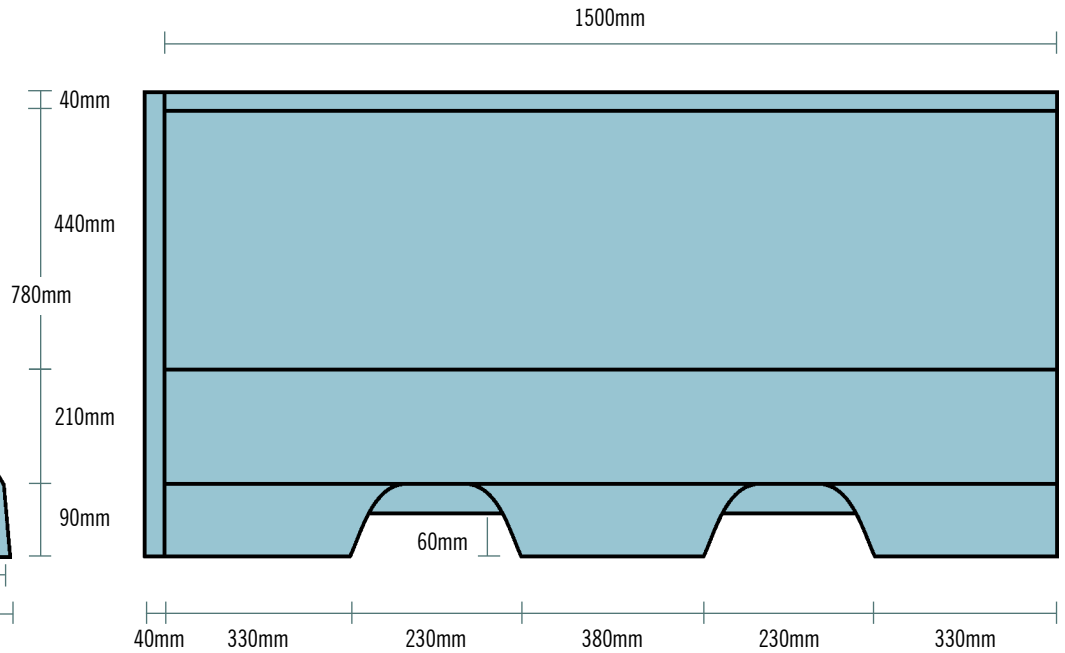


# Concrete barriers

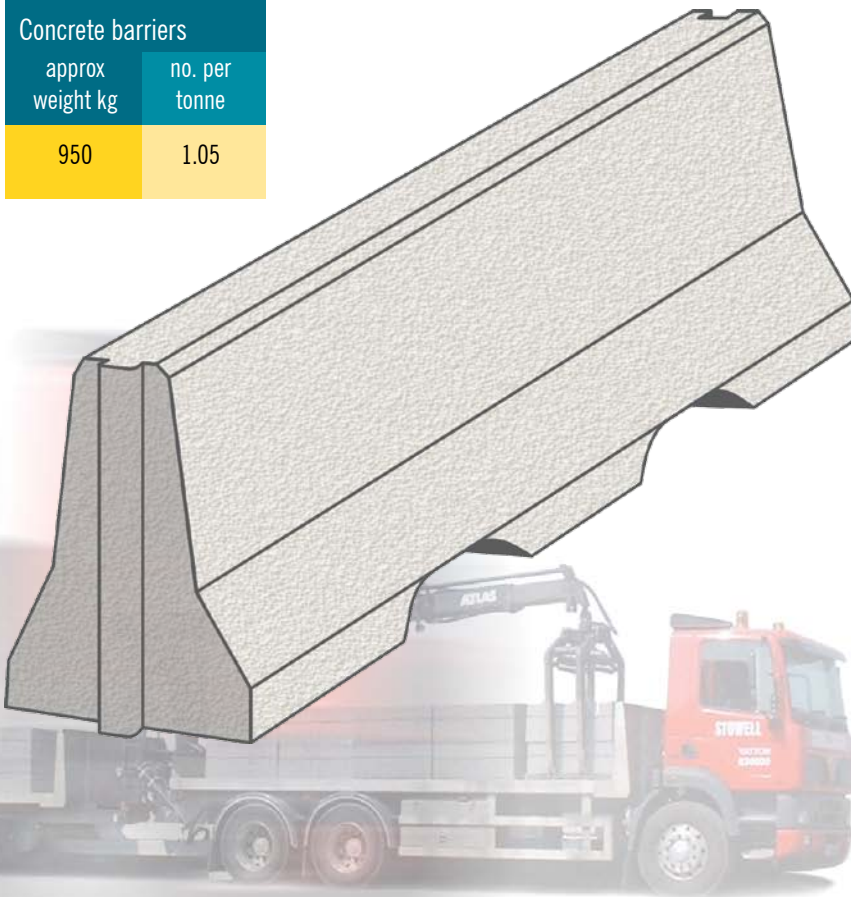


## BARRIER DIMENSIONS



### Concrete barriers

approx weight kg	no. per tonne
950	1.05



Stowell concrete barriers are designed to slot together and be capable of...

- Creating straight or slow radiused divisions of yard or site traffic from walkways
- Defining restricted areas
- Resisting ram-raiding or other unauthorised vehicular access
- Being forkable by most yard and site forklifts
- Being craneable by lorry-mounted cranes\*

Stowell concrete barriers are 1500mm long with a base width of 605mm and stand 780mm high. Stowell barriers are unreinforced.

\* Please grab the concrete barriers at the bottom 605mm wide section.

**STOWELL**  
CONCRETE LIMITED

Tel: 01934 834000 Fax: 01934 835474