

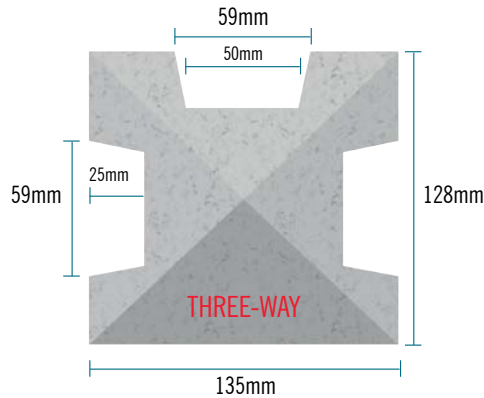
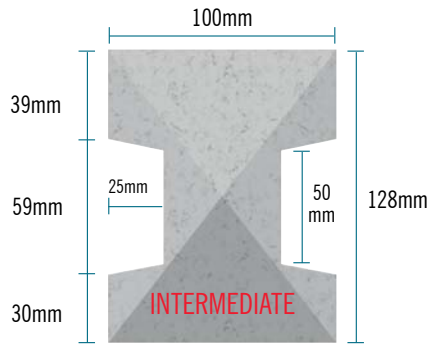
# Wet-cast fencing products



**SLOTTED  
POSTS**



**REPAIR  
SPUR**



**GRAVEL BOARDS**



Rockface



Smooth



Wet-cast slotted posts and repair posts are reinforced with four 5.5mm diameter bars.

300mm gravel boards are reinforced with three 5.5mm diameter bars and 150mm gravel boards are reinforced with two 5.5mm diameter bars.

Slotted posts	approx weight kg	no. per tonne	no. per pallet
1825mm intermediate	48•	21	27
1825mm three-way	59•	17	16
2440mm intermediate	66•	16	27
2440mm three-way	77•	13	16
Gravel boards			
300mm Rockface gravel	66•	16	24
300mm Smooth gravel	66•	16	24
150mm Smooth gravel	33•	32	18

Repair spur	approx weight kg	no. per tonne	no. per pallet
1050mm	26•	38	36
1350mm	29•	34	36

• In excess of 20kg – please use with caution after assessing the risks.

We offer a range of products for the erection of fences. Slotted concrete posts in both 1825mm and 2440mm lengths, these are available in a single slot (end), double slot (intermediate) and corner varieties. To complete fences, gravel boards are also available, these are 1825mm × 300mm × 50mm size manufactured in both smooth and rockface finishes, and 1825mm × 150mm × 50mm size in smooth finish only.

Concrete posts and gravel boards provide a long-lasting and rot-proof alternative to the traditional timber fence.

Also available are repair posts manufactured in both 1050mm heights and 1350mm heights. These are primarily used where timber posts have rotted through and broken off at ground level. The 100mm × 100mm section spur is concreted into the ground and the broken wooden post is bolted to it. This produces a solid structure with the appearance of a traditional fence.

**STOWELL**  
CONCRETE LIMITED

Tel: 01934 834000 Fax: 01934 835474