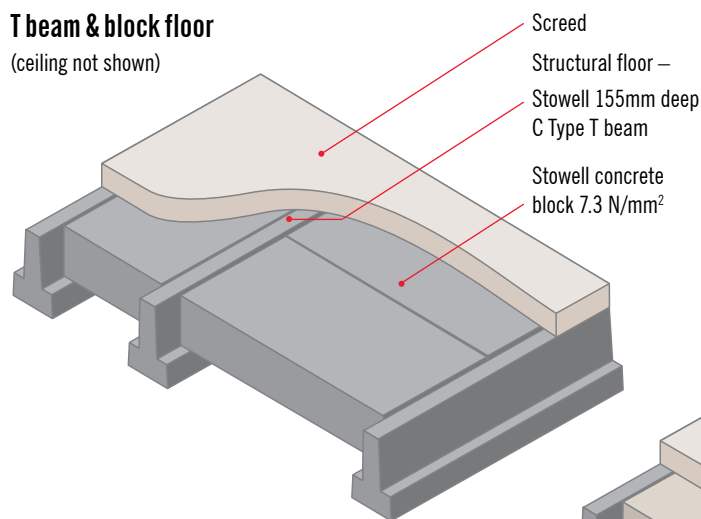


Stowell solutions for domestic and separating floors

to help satisfy Robust Details part E

T beam & block floor

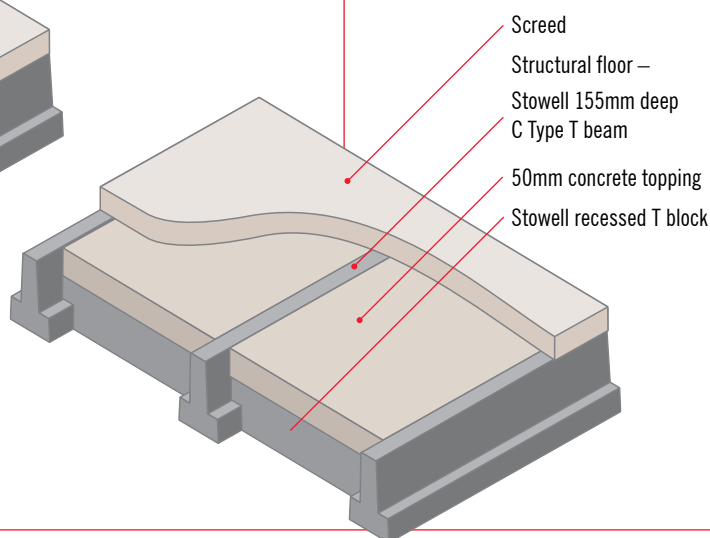
(ceiling not shown)



Screed
Structural floor –
Stowell 155mm deep
C Type T beam
Stowell concrete
block 7.3 N/mm²

T beam & recessed profile block floor

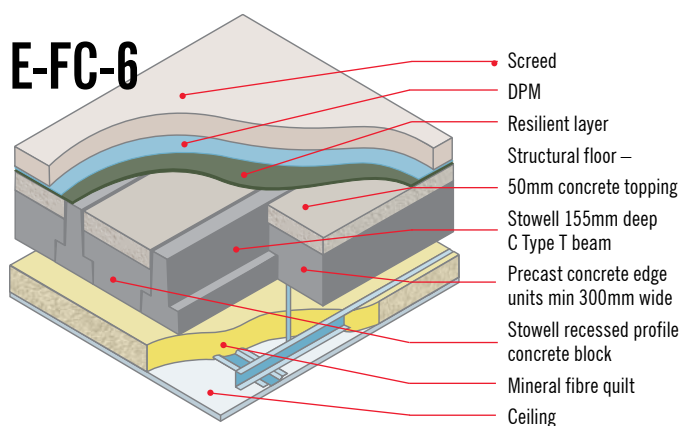
(ceiling not shown)



Screed
Structural floor –
Stowell 155mm deep
C Type T beam
50mm concrete topping
Stowell recessed T block

Part E (resistance to passage of sound) of the Building Regulations (England and Wales) Section 5: Internal walls and floors for new buildings, requires a minimum floor mass per unit area. For T beam and block the floor mass is 220kg/m².

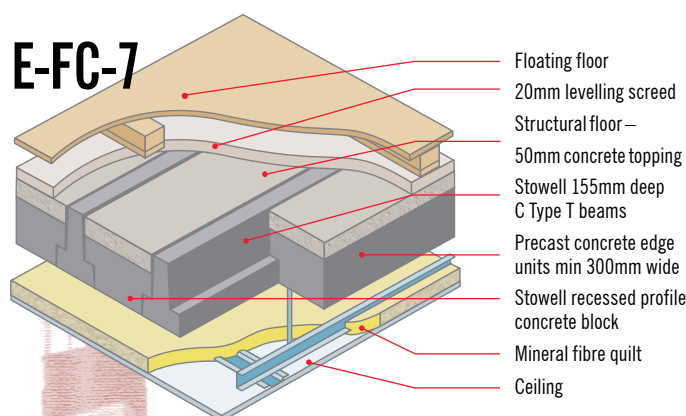
E-FC-6



Screed
DPM
Resilient layer
Structural floor –
50mm concrete topping
Stowell 155mm deep
C Type T beam
Precast concrete edge
units min 300mm wide
Stowell recessed profile
concrete block
Mineral fibre quilt
Ceiling

- T beam and block floor with precast or insitu edge joists
- screed laid on Regupol E48 resilient layer system
- for use with dense aggregate block flanking walls only

E-FC-7



Floating floor
20mm levelling screed
Structural floor –
50mm concrete topping
Stowell 155mm deep
C Type T beams
Precast concrete edge
units min 300mm wide
Stowell recessed profile
concrete block
Mineral fibre quilt
Ceiling

- T beam and block floor with precast or insitu edge joists
- using floating floor treatments
- for use with dense aggregate block flanking walls only

Robust Details are construction solutions which provide an alternative to pre-completion sound testing as a method of complying with Part E (resistance to the passage of sound) of the Building Regulations (England and Wales). Stowell concrete products enable builders to meet these regulations – provided the correct treatments are followed – when constructing new-build attached dwellings, flats and apartments.

A synopsis of the construction treatments is provided above, with full details available from Robust Details Ltd (telephone 0870 240 8209 or www.robustdetails.com).

All products available ex works. Prices on application. Telephone the sales office for further information and a quotation.

STOWELL
CONCRETE LIMITED

02/16

www.stowellconcrete.co.uk