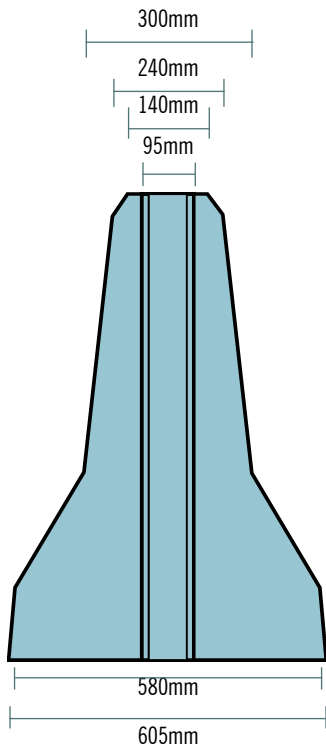
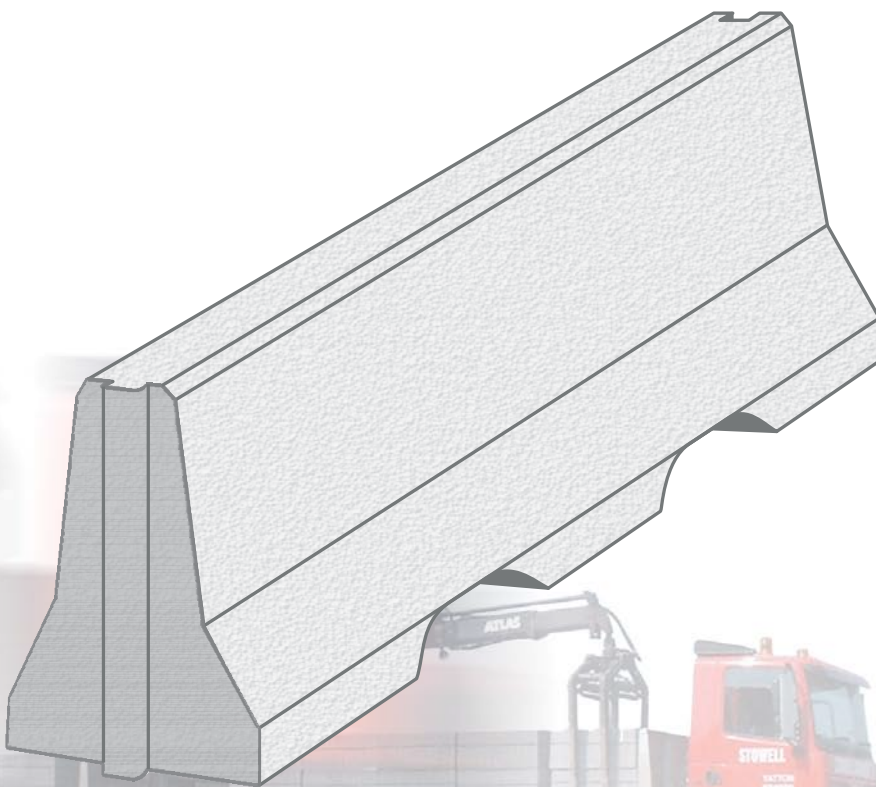
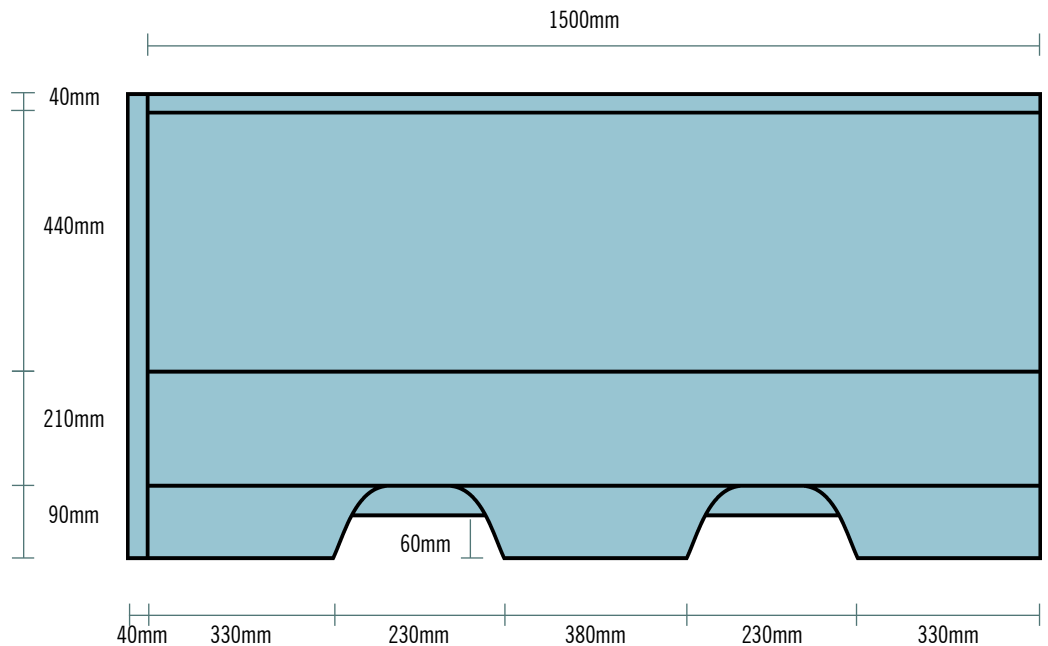


Concrete barriers



BARRIER DIMENSIONS



Stowell concrete barriers are designed to slot together and be capable of...

- Creating straight or slow radiused divisions of yard or site traffic from walkways
- Defining restricted areas
- Resisting ram-raiding or other unauthorised vehicular access
- Being forkable by most yard and site forklifts
- Being craneable by lorry-mounted cranes*

Stowell concrete barriers are 1500mm long with a base width of 605mm and stand 780mm high, they weigh approximately 950kg each.

*Please grab the concrete barriers at the bottom 605mm wide section.

STOWELL
CONCRETE LIMITED

Arnolds Way, Yatton, Bristol BS49 4QN
also at Holcombe, Cheddar & Weston-s-Mare
Tel: 01934 834000 Fax: 01934 835474
www.stowellconcrete.co.uk

11/11