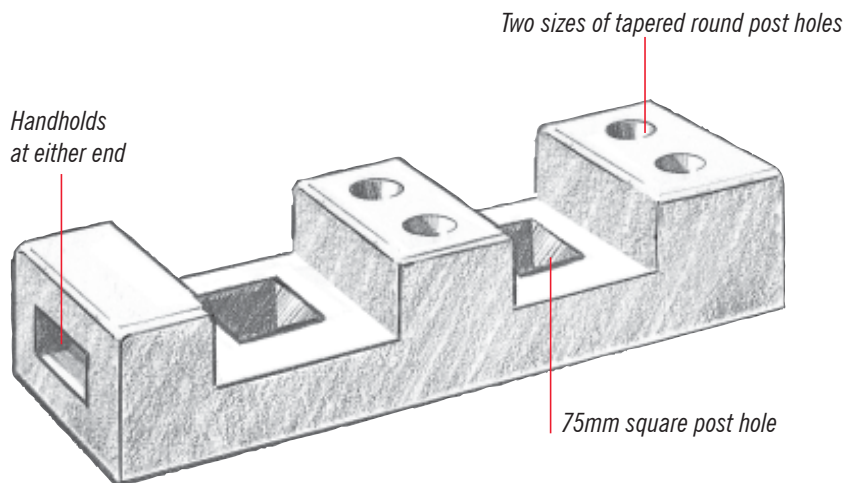


Portable post bases

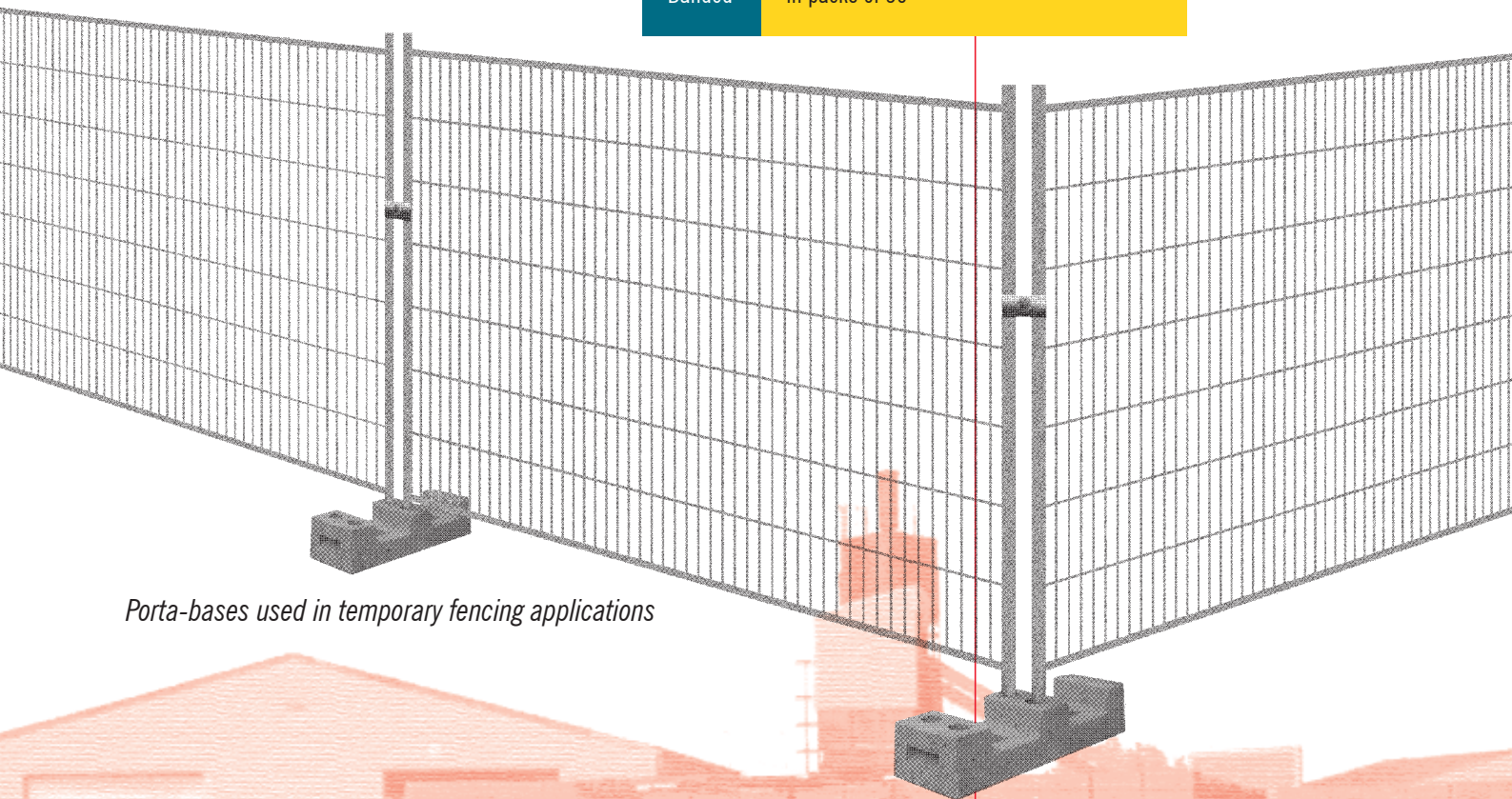


These portable concrete post bases provide strong feet suitable for any temporary fencing application. Suitable for tube system fencing with either large holes (tapers from approx. 50mm to 45mm) or small holes (tapers from approx. 45mm to 40mm).

As well having round holes porta-bases are also able to accommodate 75mm square posts. Angled for extra stability, the bases include handhold apertures at each end for easy lifting.

Portable post bases are reinforced with 2 no. 5.5mm diameter bars.

Size	675mm long × 210mm wide × 140mm high
Weight	30kgs approx. (33 per tonne)
Banded	in packs of 30



Porta-bases used in temporary fencing applications

STOWELL
CONCRETE LIMITED

07/09

www.stowellconcrete.co.uk

Portable post bases



Each pack of 30 porta-bases is designed to be forkable without the use of dunnage



All products are available ex works.
Prices on application.
Telephone our sales office for further
information and quotations.

STOWELL
CONCRETE LIMITED

Arnolds Way, Yatton, Bristol BS49 4QN
also at Holcombe, Cheddar & Weston-s-Mare
Tel: 01934 834000 Fax: 01934 835474
www.stowellconcrete.co.uk

07/09