

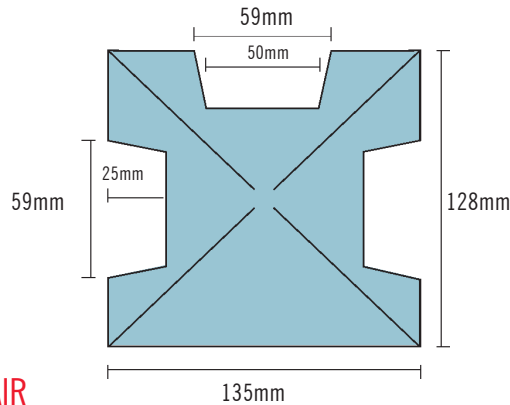
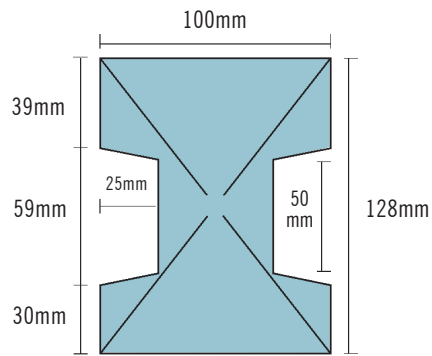
Fencing products



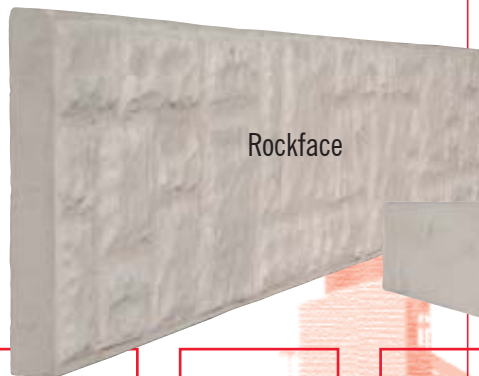
SLOTTED POSTS



REPAIR SPUR



GRAVEL BOARDS



Rockface



Smooth



M12x200

Wet-cast slotted posts and repair posts are reinforced with 4 no. 5.5mm diameter bars, 300mm gravel boards are reinforced with 3 no. 5.5mm diameter bars and 150mm gravel boards are reinforced with 2 no. 5.5mm diameter bars.

Stowell Concrete produce a range of products for the erection of fences. Slotted concrete posts in both 1825mm and 2440mm lengths, these are available in a single slot (end), double slot (intermediate) and corner varieties. To complete fences, gravel boards are also available, these are 1825mm×300mm×50mm size manufactured in both smooth and rockface finishes, and 1825mm×150mm×50mm size in smooth finish only.

Concrete posts and gravel boards provide a long-lasting and rot-proof alternative to the traditional timber fence.

Also available are repair posts manufactured in both 1050mm heights and 1350mm heights. These are primarily used where timber posts have rotted through and broken off at ground level. The 100mm×100mm section spur is concreted into the ground and the broken wooden post is bolted to it. This produces a solid structure with the appearance of a traditional fence.

All products are available ex works.

Prices on application.

Telephone our sales office for further information and quotations.

STOWELL
CONCRETE LIMITED

07/09

www.stowellconcrete.co.uk