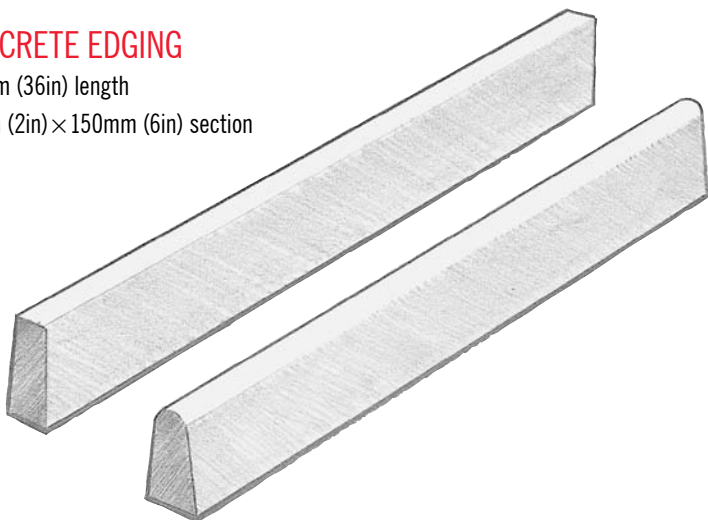


# Edgings, bollards and pillar caps

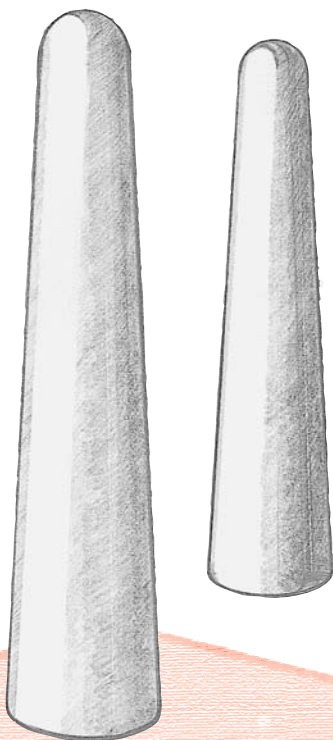
## CONCRETE EDGING

913mm (36in) length  
50mm (2in) × 150mm (6in) section



## CONCRETE BOLLARDS

Smooth natural grey finish  
1350mm × 225mm > 150mm  
(54in × 9in > 6in)

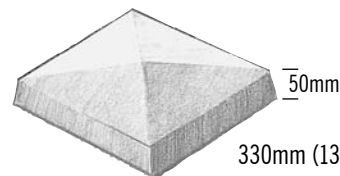


Concrete bollards are reinforced with 4 no. 8.0mm diameter bars.

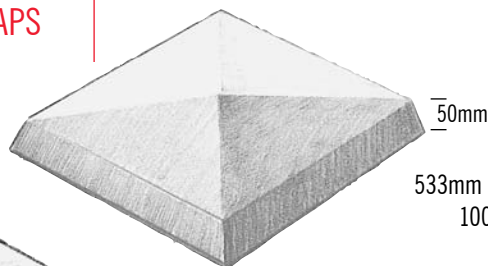
## PYRAMID PILLAR CAPS

For general building use as well as landscaping applications, we provide a range of wall copings (see overleaf), pillar caps, plain edgings and bollards.

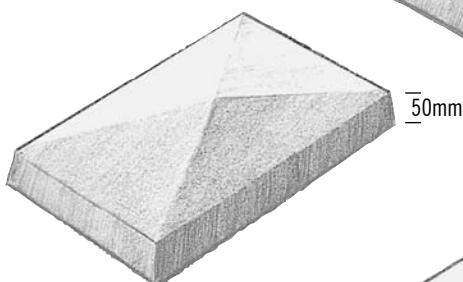
Pillar caps are supplied in four sizes which satisfy the vast majority of requirements. Plain edgings, in round-top and flat-top versions, and the gently tapered bollards are available in the standard smooth grey finish.



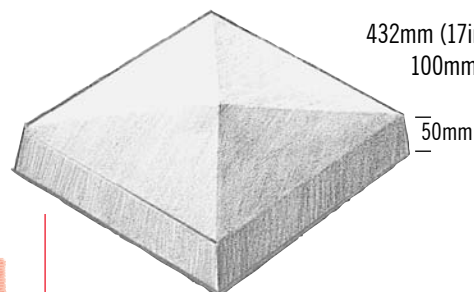
50mm  
330mm (13in) square  
80mm @ apex



50mm  
533mm (21in) square  
100mm @ apex



50mm  
533mm × 305mm  
(21in × 12in)  
90mm @ apex



50mm  
432mm (17in) square  
100mm @ apex

**STOWELL**  
CONCRETE LIMITED

11/11

[www.stowellconcrete.co.uk](http://www.stowellconcrete.co.uk)