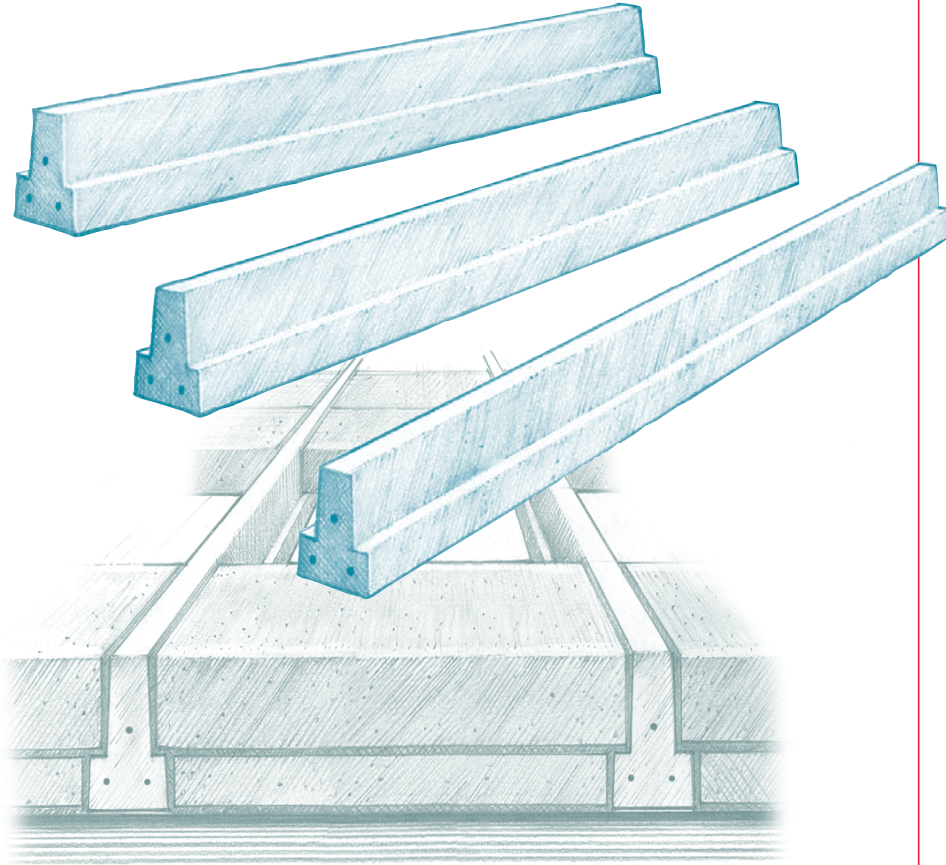


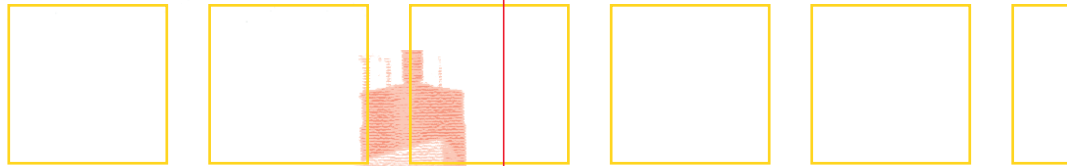
# T joist\* flooring system... concrete pre-stressed floor joists

Stowell Concrete now manufacture and supply 155mm concrete pre-stressed T Joists. When these are used with standard blocks they provide a quick, simple and economical suspended flooring system. They are ideal for most types of housing and low-rise buildings.



*Typical build up of closure and flooring blocks using the Stowell T Joist System*

\* commonly known as beam



The Stowell T Joist flooring system offers you the following benefits...

## TIMESAVING

'Dry' construction speeds up building time and provides an immediate working platform.

## ALL WEATHER

No delays due to bad weather. Can be installed in adverse weather conditions.

## STORAGE & HANDLING

Easily stored and handled on-site prior to installation.

## HIGHLY DURABLE

Stowell floor joists do not rot and are fire resistant.

## CAN BE EASILY INSTALLED

Does not require specialist skills.

## COST EFFECTIVE

Ease and speed of erection provide a significant cost benefit to the contractor.

## READILY AVAILABLE

All sizes are available ex-stock.

**STOWELL**  
CONCRETE LIMITED

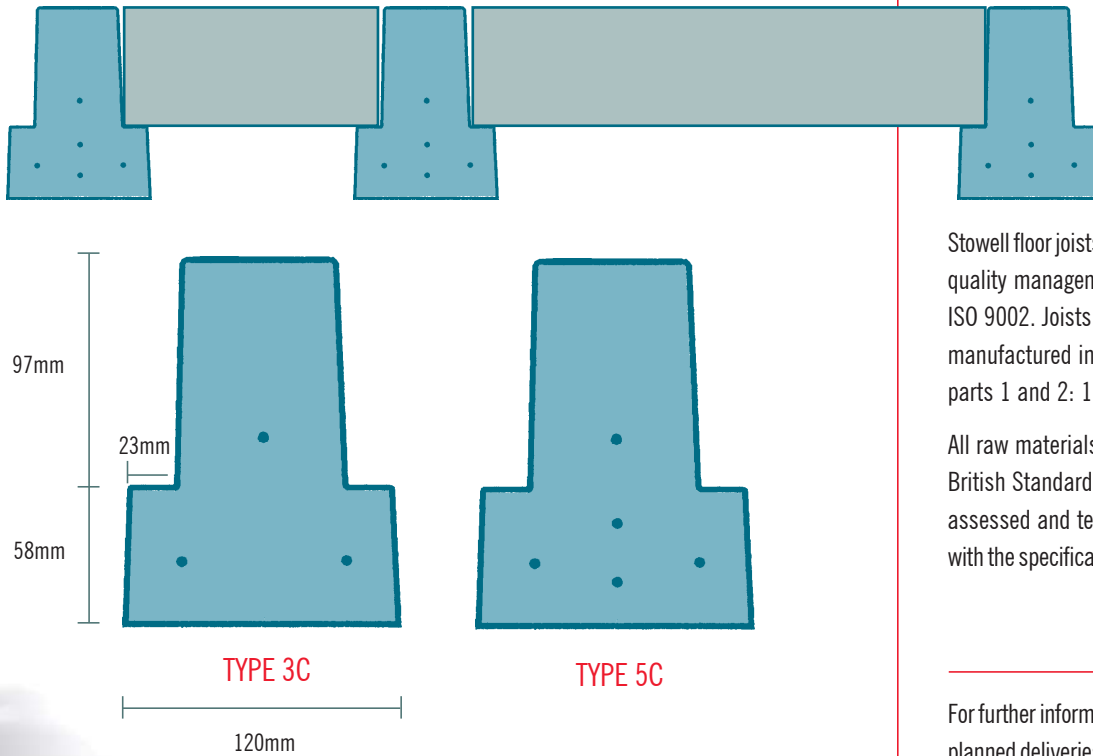
07/09

[www.stowellconcrete.co.uk](http://www.stowellconcrete.co.uk)

# Concrete pre-stressed floor joists\*

Because Stowell's T joist system is fast and simple to erect and doesn't need specialist skills, it makes a cost effective and efficient method of floor construction.

Stowell floor joists, available from stock, are manufactured at our works using a pre-stressed wet-cast system.



Our 155mm deep joists are available in two different wire formats:

- Type 3C 4500mm max clear span
- Type 5C 6000mm max clear span

Stowell floor joists are manufactured under a quality management system based on BS EN ISO 9002. Joists are designed and manufactured in accordance with BS 8110 parts 1 and 2: 1985.

All raw materials comply with the relevant British Standards. Joists are randomly assessed and tested to ensure they comply with the specifications.

For further information on design, manufacture, planned deliveries or technical advice please contact the Stowell Flooring department on 01934 834000.

\* commonly known as beam



**STOWELL**  
CONCRETE LIMITED

Arnolds Way, Yatton, Bristol BS49 4QN  
also at Holcombe, Cheddar & Weston-s-Mare  
Tel: 01934 834000 Fax: 01934 835474  
[www.stowellconcrete.co.uk](http://www.stowellconcrete.co.uk)

07/09