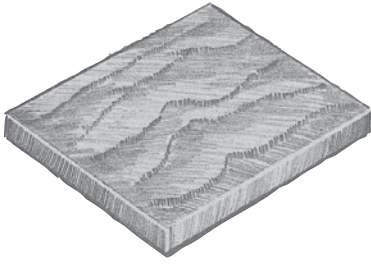


Patio paving and wet cast edgings



With its traditional finish and four colourways, the flagstone is ideal for all patio and pathway uses. Its surface provides a firm base for garden furniture.

Patio paving	size inches	colour grey	buff	terracotta	cream	charcoal
Flagstone	24×24×1½	●	●			‡
Flagstone	24×12×1½	●	●			‡
Flagstone	18×18×1½	●	●	●	●	‡
Wet cast edging						
Flat top	36×6×2	●				
Round top	36×6×2	●				

Sizes are metric but are designated imperial to differentiate from hydraulically pressed product

● from stock ‡ to order

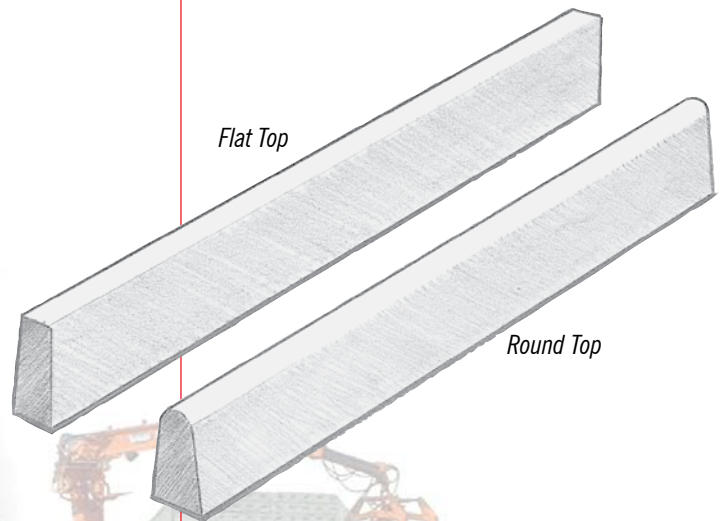
Our range of edging products provides the key to maintaining neat boundaries around a patio, lawn, pathway, flowerbed or drive.

Using concrete that is vibrated into specially developed moulds, Stowell wet cast edgings have a tough, smooth finish, built for durability* and strength.

Stowell decorative concrete products are available in a range of attractive, mellow colours that will naturally complement any garden. Why not create different patterns by using a combination of shades?

The tables show both the sizes and colours available for the individual products introduced in this leaflet. While every effort is made to ensure that colours do not vary, complete consistency cannot always be guaranteed.

Please contact the Stowell customer service department on 01934 834000.



*NB. The use of rock salt can seriously affect the surface finish of these products.

STOWELL
CONCRETE LIMITED

Arnolds Way, Yatton, Bristol BS49 4QN
also at Holcombe, Cheddar & Weston-s-Mare
Tel: 01934 834000 Fax: 01934 835474
www.stowellconcrete.co.uk

11/11