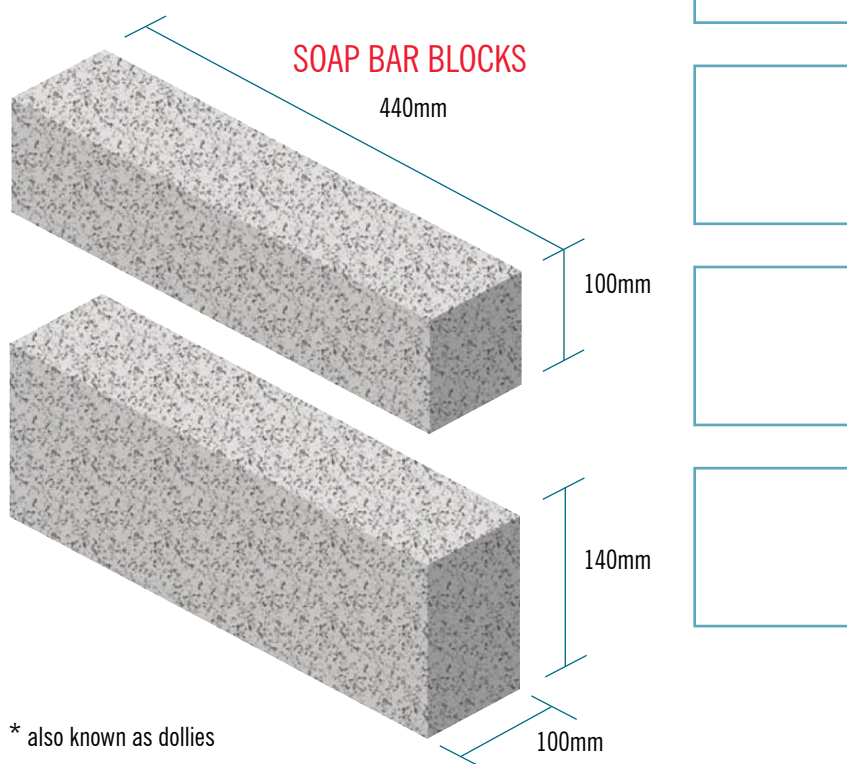


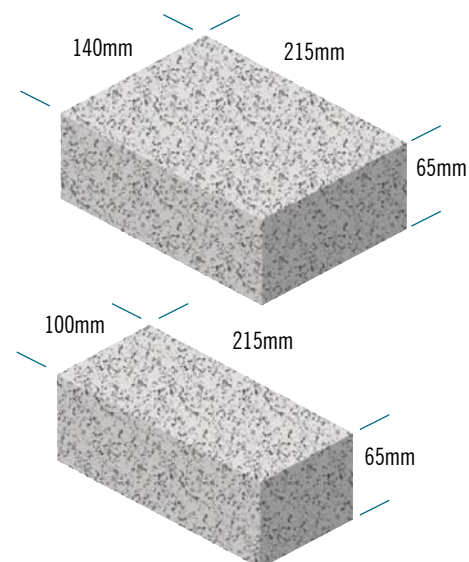
Concrete soap bar blocks*, coursing bricks & slip bricks



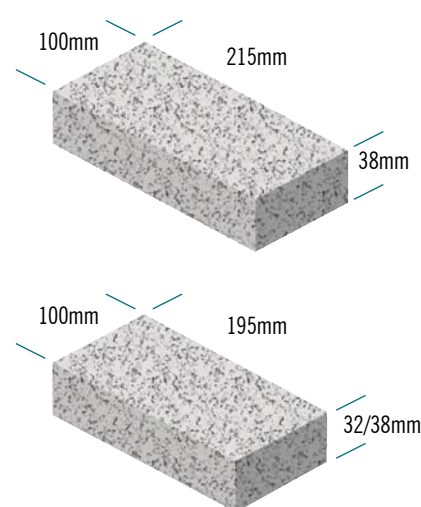
* also known as dollies

To complement our range of dense concrete blocks, we have introduced soap bar blocks, coursing bricks and slip bricks to assist with course height adjustments.

COURSING BRICKS



SLIP BRICKS



Soap bar blocks	size mm nominal	strength N/mm ²	approx oven-dry density kg/m ³	approx weight kg	no. per tonne	multiples of	no. per pack
Dense	440×100×100	10.4	1950	9	115	88	176
Dense	440×140×100	10.4	1950	12	82	66	132
Coursing bricks							
Dense	215×65×100	10.4	1950	2.9	340	128	512
Dense	215×65×140	10.4	1950	4.2	240	96	384
Stowlite	215×65×100	7.3	1400	2.0	500	128	512
Stowlite	215×65×140	7.3	1400	2.8	360	96	384
Fibotherm	215×65×100	3.6	850	1.4	740	128	512
Fibotherm	215×65×140	3.6	850	1.9	530	96	384
Slip bricks							no. per pallet
Dense	215×38×100	7.3	1900	1.6	625	208	416
Cut slab	195×38×100	40.0	2400	1.7	590	–	540
Cut slab	195×32×100	40.0	2400	1.4	710	–	540

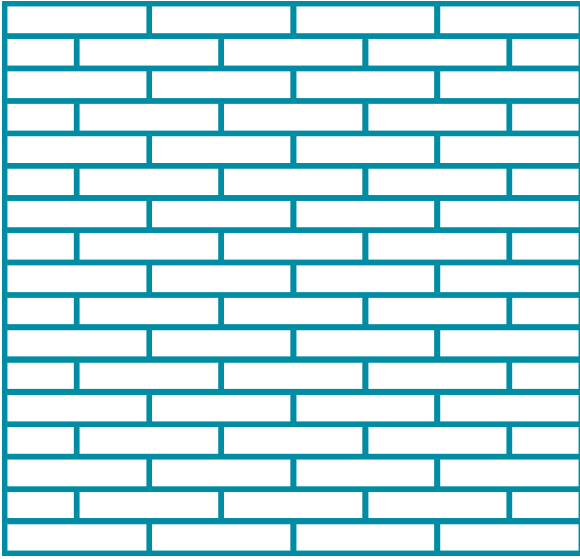
STOWELL
CONCRETE LIMITED

11/11

www.stowellconcrete.co.uk

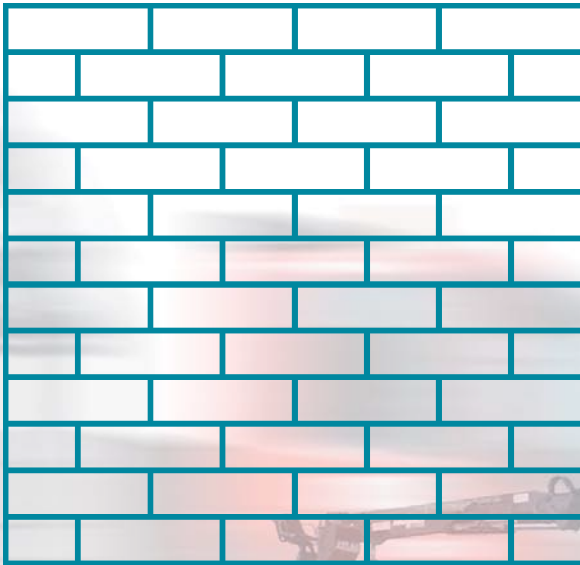
Concrete soap bar blocks

440×100×100mm 
 or 440×140×100mm laid 'flat' 



20 No per m²

440×140×100mm laid 'upright' 



15 No per m²

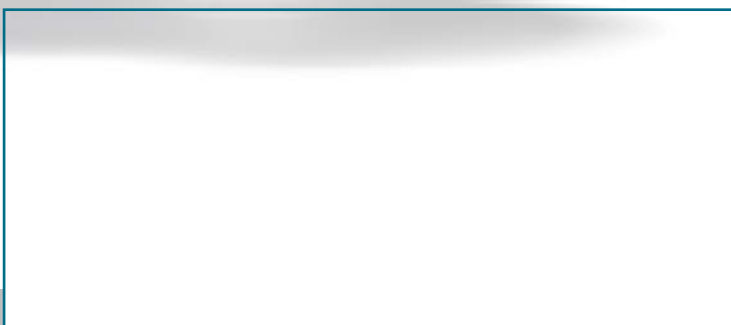


Stowell 100×100mm soap bar blocks, and the 140×100mm size when laid 'flat', have a face size of 440×100mm – half the height of a standard block and are built with a course height of 110mm. Two courses match one course of standard blockwork or three courses of brickwork.

Stowell 140×100mm soap bar blocks, when laid 'upright', have a face size of 440×140mm – two thirds the height of a standard block – and are built with a course height of 150mm. Three courses match two courses of standard blockwork or six courses of brickwork.

These products can be manufactured in other materials depending on order quantities.

All products are available ex works.
 Prices on application.
 Telephone our sales office for further information and quotations.



STOWELL
 CONCRETE LIMITED

Arnolds Way, Yatton, Bristol BS49 4QN
 also at Holcombe, Cheddar & Weston-s-Mare
 Tel: 01934 834000 Fax: 01934 835474
www.stowellconcrete.co.uk