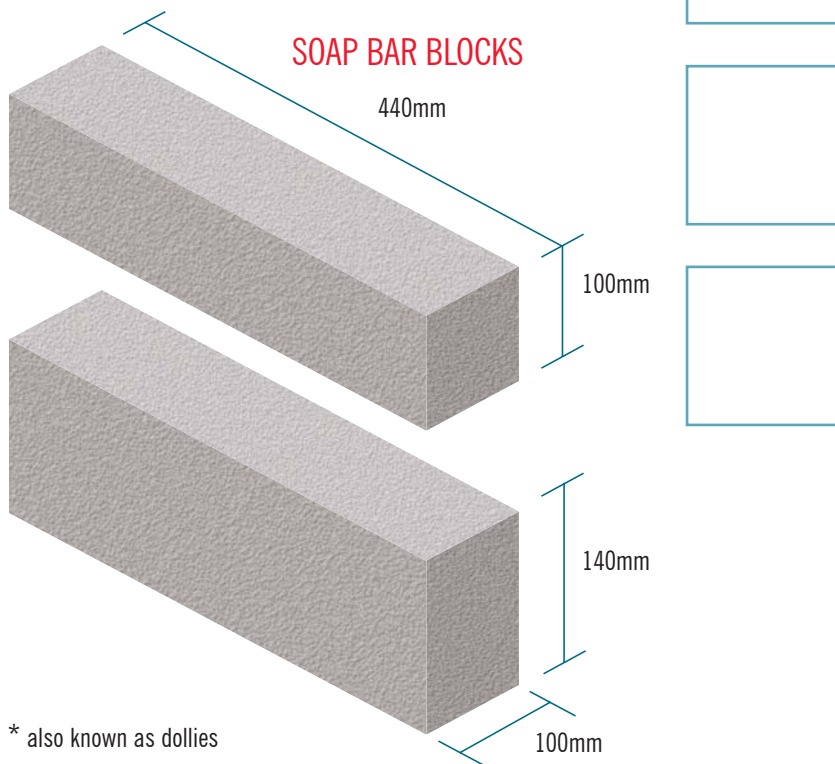


Concrete soap bar blocks*, coursing bricks and slip bricks

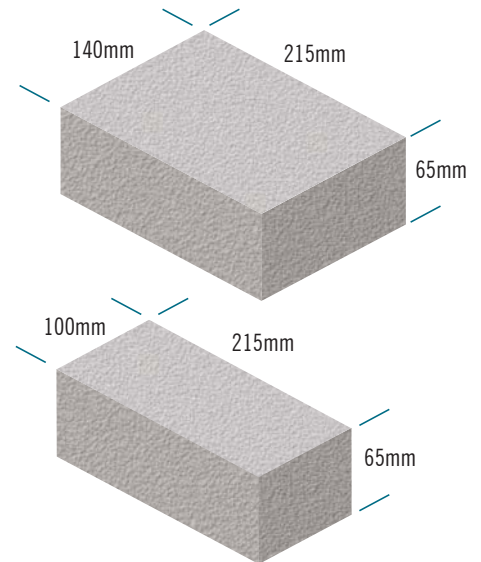


* also known as dollies

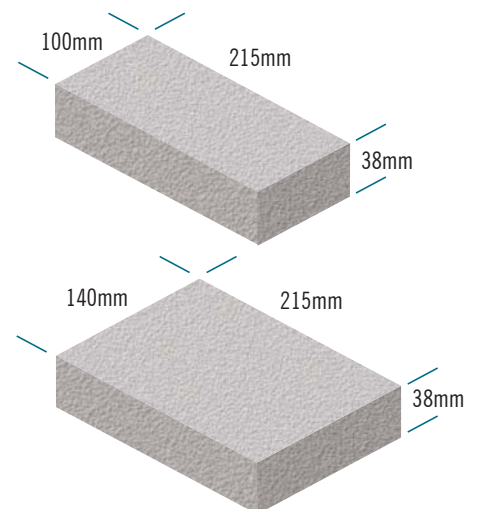
Soap bar blocks material	size mm nominal	approx weight kg	approx oven dry density kg/m ³	number per pack	number per tonne	strength N/mm ²
Dense	440 × 100 × 100	9	1975	88	115	10.4
Dense	440 × 140 × 100	12	1975	66	82	10.4
Coursing bricks						
Dense	215 × 65 × 100	2.9	1975	128	340	10.4
Dense	215 × 65 × 140	4.2	1975	96	240	10.4
Stowlite	215 × 65 × 100	2.0	1450	128	500	7.3
Stowlite	215 × 65 × 140	2.8	1450	96	360	7.3
Fibotherm	215 × 65 × 100	1.4	850	128	740	3.6
Fibotherm	215 × 65 × 140	1.9	850	96	530	3.6
Slip bricks						
Dense	215 × 38 × 100	1.6	1950	416	625	7.3
Dense	215 × 38 × 140	2.2	1950	312	450	7.3

To complement their range of dense concrete blocks, Stowell Concrete have introduced soap bar blocks, coursing bricks and slip bricks.

COURSING BRICKS



SLIP BRICKS



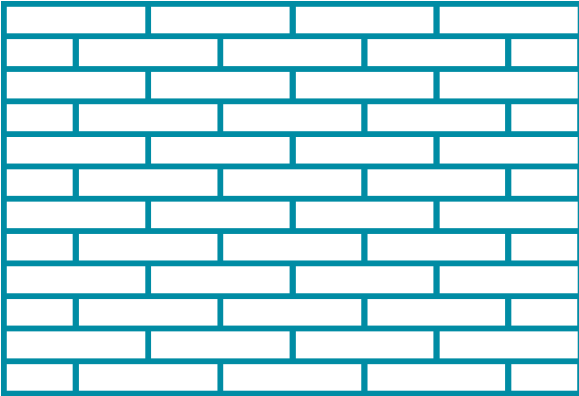
STOWELL
CONCRETE LIMITED

07/09

www.stowellconcrete.co.uk

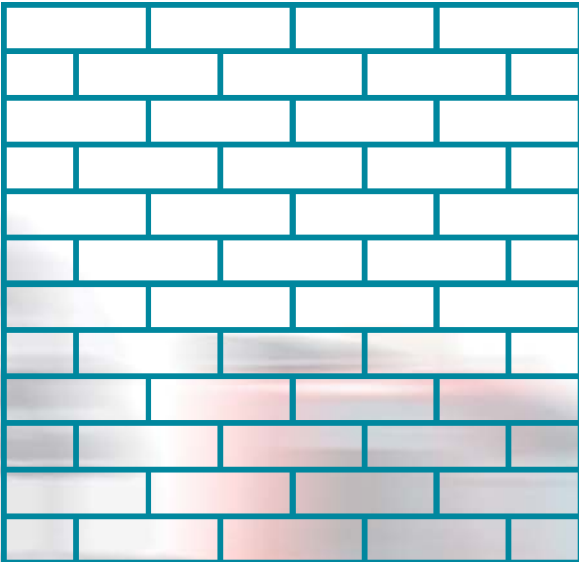
Concrete soap bar blocks

440×100×100mm 
or 440×140×100mm laid 'flat' 

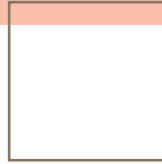


20 No per m²

440×140×100mm laid 'upright' 



15 No per m²



Stowell 100×100mm soap bar blocks, and the 140×100mm size when laid 'flat', have a face size of 440×100mm – half the height of a standard block and are built with a course height of 110mm. Two courses match one course of standard blockwork or three courses of brickwork.

Stowell 140×100mm soap bar blocks, when laid 'upright', have a face size of 440×140mm – two thirds the height of a standard block – and are built with a course height of 150mm. Three courses match two courses of standard blockwork or six courses of brickwork.

These products can be manufactured in other materials depending on order quantities.

All products are available ex works.

Prices on application.

Telephone our sales office for further information and quotations.



STOWELL

CONCRETE LIMITED

Arnolds Way, Yatton, Bristol BS49 4QN
also at Holcombe, Cheddar & Weston-s-Mare
Tel: 01934 834000 Fax: 01934 835474
www.stowellconcrete.co.uk

07/09